

# OIL TANKS & ACCESSORIES

[www.hydrex.com.tr](http://www.hydrex.com.tr)



 **HYDREX**

---

## INDEX

---

<b>Oil Tanks</b>	<b>3</b>
<i>Side Mounted Oil Tanks</i>	<b>4</b>
<i>Rear Cub Oil Tanks</i>	<b>4</b>
<i>Side Mounted – Aluminium Oil Tanks</i>	<b>5</b>
<i>Rear Cub – Aluminium Oil Tanks</i>	<b>5</b>
<b>Tank Covers &amp; Level Indicators</b>	<b>6</b>
<i>Tank Covers</i>	<b>7</b>
<i>Oil Indicators</i>	<b>11</b>

# OIL TANKS

[www.hydrex.com.tr](http://www.hydrex.com.tr)



## Side Mounted Oil Tanks



CODE	Tank Volume (lt)	Working Volume (lt)	A (mm)	B (mm)	C (mm)
T12-1-0001	80	65	40	50	40
T12-1-0002	100	80	40	50	50
T12-1-0003	120	100	40	50	60
T12-1-0004	160	140	50	64	50
T12-1-0005	190	160	50	64	60
T12-1-0006	210	180	61	70	50
T12-1-0007	256	230	61	70	60

## Rear Cub Oil Tanks



CODE	Tank Volume (lt)	Working Volume (lt)	A (mm)	B (mm)	C (mm)
T12-1-0008	65	55	25	51	52
T12-1-0009	95	75	25	51	73
T12-1-0010	105	90	25	51	84
T12-1-0011	120	100	25	51	95
T12-1-0012	155	135	31	51	100
T12-1-0013	175	150	31	51	113
T12-1-0014	200	180	31	51	125
T12-1-0015	220	190	40	50	110
T12-1-0016	225	190	32	65	110
T12-1-0017	264	230	40	60	110
T12-1-0018	285	250	40	60	120

## Side Mounted – Aluminium Oil Tanks



CODE	Tank Volume (lt)	Working Volume (lt)	A (mm)	B (mm)	C (mm)
T12-1-0019	80	65	40	50	40
T12-1-0020	100	80	40	50	50
T12-1-0021	120	100	40	50	60
T12-1-0022	160	140	56	64	50
T12-1-0023	190	160	56	64	60
T12-1-0024	207	180	62	67	50
T12-1-0025	250	220	62	67	60
T12-1-0026	294	270	70	70	60

## Rear Cub – Aluminium Oil Tanks



CODE	Tank Volume (lt)	Working Volume (lt)	A (mm)	B (mm)	C (mm)
T12-1-0027	135	120	32	65	65
T12-1-0028	145	115	40	50	79
T12-1-0029	160	130	40	50	89
T12-1-0030	180	150	40	50	98
T12-1-0031	185	170	32	65	90
T12-1-0032	203	170	40	50	110
T12-1-0033	228	205	32	65	110
T12-1-0034	260	235	32	65	125

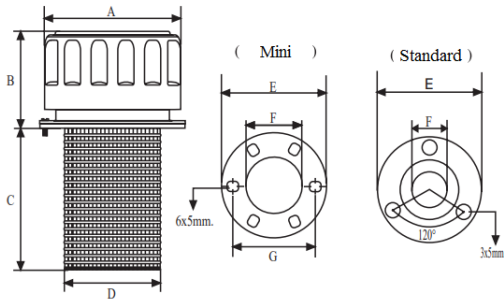
# TANK COVERS & LEVEL INDICATORS

[www.hydrex.com.tr](http://www.hydrex.com.tr)

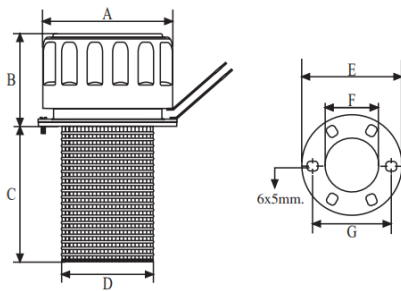


 **HYDREX**

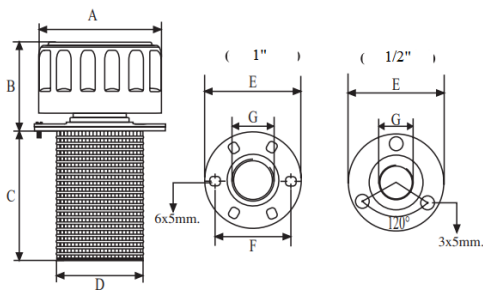
## Hydraulic Tank Covers



CODE	Description	A	B	C	D	E	F	G
T12-2-0003	Mini Clip-on	45	43	65	28	51	20	
T12-2-0035	Mini Clip-on / Metal Filtered	45	43	65	28	51	20	
T12-2-0001	Clip-on	77	59	80	49	84,5	37,5	71
T12-2-0034	Clip-on / Metal Filtered	77	59	80	49	84,5	37,5	71
T12-2-0002	Chain Type	77	59	80	49	84,5	37,5	71
T12-2-0036	Chain Type / Metal Filtered	77	59	80	49	84,5	37,5	71



CODE	Description	A	B	C	D	E	F	G
T12-2-0006	Padlocked	77	59	80	49	84,5	37,5	71
T12-2-0037	Padlocked / Metal Filtered	77	59	80	49	84,5	37,5	71

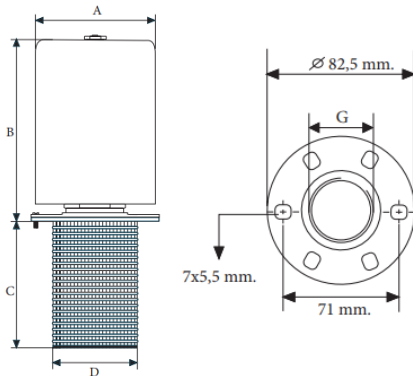


CODE	Description	A	B	C	D	E	F	G
T12-2-0005	Threaded 1/2"	45	43	65	28	51		1/2"
T12-2-0038	Threaded 1/2" / Metal Filtered	45	43	65	28	51		1/2"
T12-2-0004	Threaded 1"	77	66	80	49	84,5	37,5	1"
T12-2-0039	Threaded 1" / Metal Filtered	77	66	80	49	84,5	37,5	1"
T12-2-0040	Chain Type 1"	77	66	80	49	84,5	37,5	1"
T12-2-0041	Chain Type 1" / Metal Filtered	77	66	80	49	84,5	37,5	1"

### General Specifications

Filtration	40 micron
Filling Filter	Nylon 66
Flow mini	150lpm
Flow Standad	720lpm

## HUKD Covers



CODE	Description	Filtration	A	B	C	D	G
T12-2-0013	Plastic	5 $\mu$	97	90	80	50	1"
T12-2-0014	Plastic	5 $\mu$	97	165	80	50	1"
T12-2-0042	Metal	5 $\mu$	97	90	80	50	1"
T12-2-0043	Metal	5 $\mu$	97	165	80	50	1"

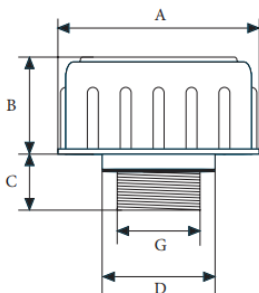
### General Specifications

Filtration	5 micron (89% efficiency)
Filling Filter	Nylon 66
Flow	1500- 2800lpm

### SPARE PARTS

ELEMENT CODE	USED IN COVERS
T12-2-0044	T12-2-0013
T12-2-0045	T12-2-0014
T12-2-0046	T12-2-0042
T12-2-0047	T12-2-0043

## HHKP Covers



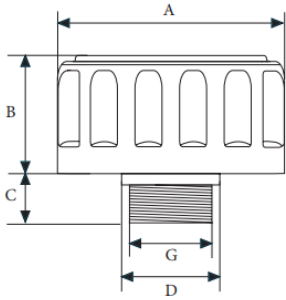
CODE	Description	G	A	B	C	D
T12-2-0007	Plastic 3/8"	3/8"	36	17	16	23
T12-2-0008	Plastic 1/2"	1/2"	41	18	17	28
T12-2-0009	Plastic 3/4"	3/4"	47	17	17	33
T12-2-0010	Plastic 1"	1"	52	20	17	38

### General Specifications

Construction	Polyamid 66 body 40 micron polyurethane filter
Sealing	nitrile O-ring
Operating Temperature	100°C



## Metal Filler Breathers with Filter - HHKM



CODE	Description	G	A	B	C	D
T12-2-0011	Metal 1/2"	1/2"	43	37	12	15
T12-2-0012	Metal 1"	1"	77	46	12	33

### General Specifications

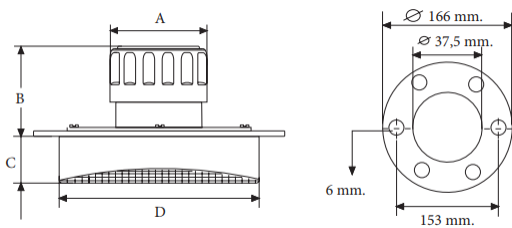
Filtration 40 micron filter

Operating Temperature 100°C

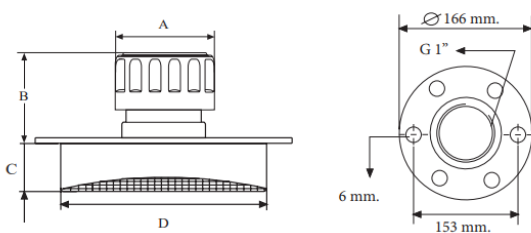
Flow 1/2" - 150lpm  
1" - 720lpm

## HBKS – HBKV Covers

### T12-2-0016



### T12-2-0015



CODE	Description	A	B	C	D
T12-2-0016	Standard	77	62	23	122
T12-2-0015	Threaded 1"	77	58	23	122

### General Specifications

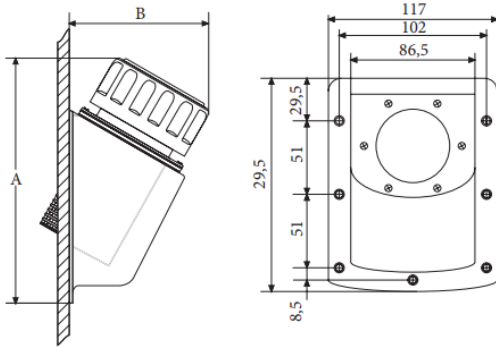
Filtration 40 micron

Filter Nylon 66

Flow 720lpm

## Side Mounting Hydraulic Tank Cover Flange - HFDK

### T12-2-0017

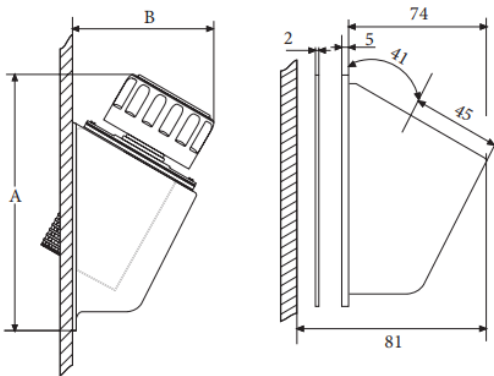


CODE	Description	A	B
T12-2-0017	Chain Type	180	107
T12-2-0018	Threaded 1"	185	110

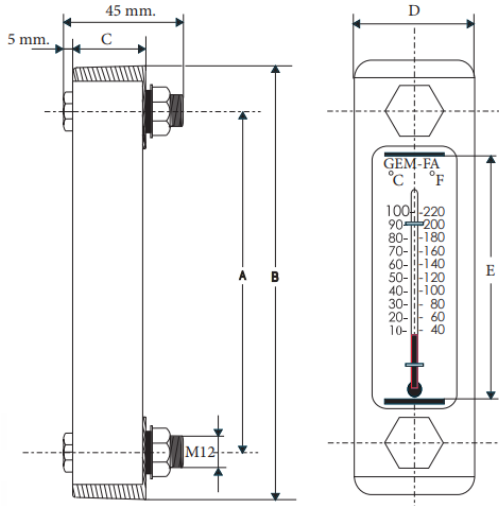
#### General Specifications

Filtration	40 micron
Filter	Nylon 66
Flow	720lpm

### T12-2-0018



## Hydraulic Temperature And Fluid Level Indicator

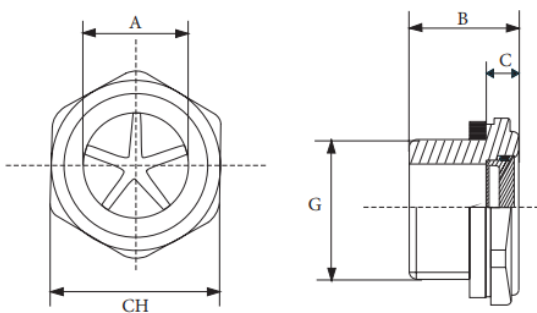


CODE	Description	A	B	C	D	E
T12-4-0001	w/ Thermometer	76	108	20	35	37
T12-4-0002	w/o Thermometer	76	108	20	35	37
T12-4-0003	w/ Thermometer	127	161	20	35	76
T12-4-0004	w/o Thermometer	127	161	20	35	76
T12-4-0005	w/ Thermometer	254	286	20	35	203

### General Specifications

<b>Sight Glass</b>	Transparent Polyamide
<b>Tube Cap</b>	Nylon 66
<b>Sealing</b>	nitrilee
<b>Max. Working Pressure</b>	1 Bar
<b>Operating Temperature</b>	-30°C – 100°C / Mineral Oil
<b>Torque</b>	10 Nm max.

## Aluminium Fluid Level Indicator

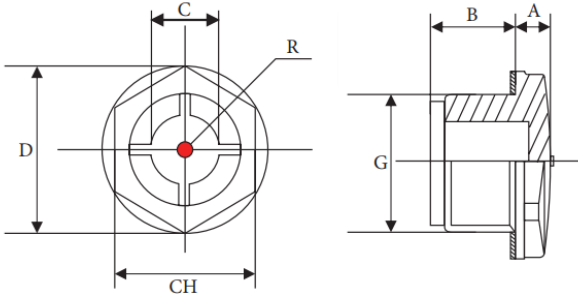


CODE	Thread	G	A	B	C	CH
T12-4-0006	1/4"	1/4"	18	15,5	8	18
T12-4-0007	3/8"	3/8"	12	17	8	22
T12-4-0008	1/2"	1/2"	15	17	8	27
T12-4-0009	3/4"	3/4"	19	20	9	34
T12-4-0010	1"	1"	27	21,5	10,5	40
T12-4-0011	1 1/4"	1 1/4"	32	21,5	13	50

### General Specifications

<b>Sight Glass</b>	Transparent Polyamide
<b>Body</b>	11S Aluminium
<b>Max. Working Pressure</b>	10 Bar
<b>Operating Temperature</b>	100°C / Mineral Oil

## Plastic Transparent Poliamid Fluid Level Indicator



CODE	Thread G	B	C	D	CH	Nm
T12-4-0012	3/8"	12	12	22	22	8:10
T12-4-0013	1/2"	12	16	27	28	12:14
T12-4-0014	3/4"	13,5	21	34	36	16:18
T12-4-0015	1"	14	30	40	42	18:20

### General Specifications

<b>Sight Glass</b>	Transparent Polyamide (Trogamid T)
<b>Tube Cap</b>	Nylon 66
<b>Sealing</b>	Asbest free flat seal
<b>Operating Temperature</b>	100°C / Mineral Oil

## HYDREX

A.O.S.B. 10.000 Sokak No.22  
Çiğli / İzmir / Türkiye  
Tel: +90 232 376 79 99  
Fax: +90 232 376 80 78

sales@hyrex.com.tr  
info@hyrex.com.tr

www.hyrex.com.tr

